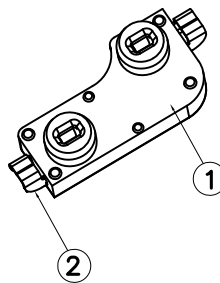
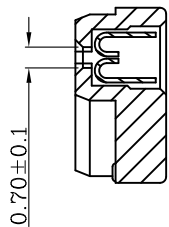
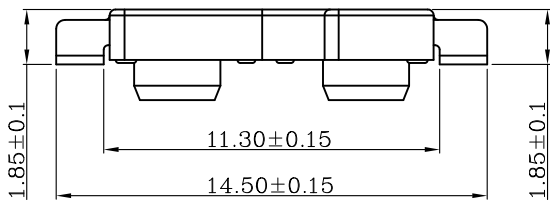


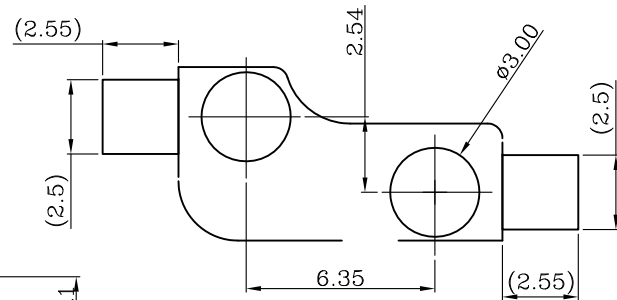
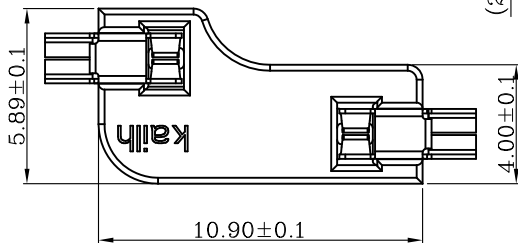
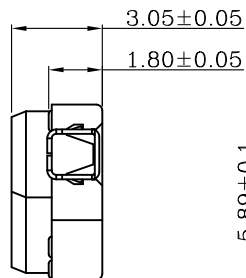
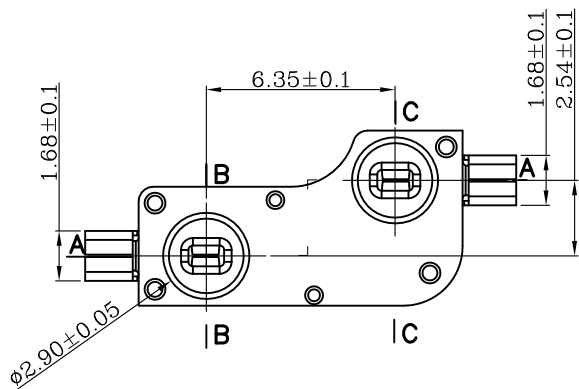
ABIDE BY ROHS

**Specification :**

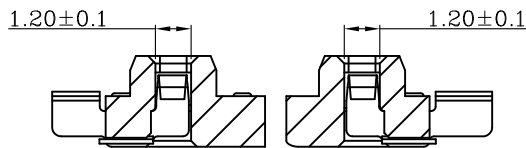
- 1. Rating:  
Voltage : 12V AC/DC max., 2V DC min.  
Current : 10mA AC/DC max., 10µA DC min.
- 2. Contact Resistance : 100mΩ Max
- 3. Insulation Resistance : 100MΩ at 500V
- 4. Withstand Voltage : AC100V (50-60Hz)  
for 1 minute
- 5. Finishing: gold-plating for contact area;  
Nike-plating all over;  
lead-plating for Weld area;
- 6. Mation Force : 3.0kgf max
- 7. Operating Life : 100 Cycles



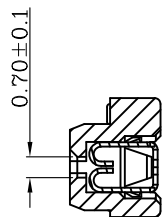
SECTION C-C



PCB LAYOUT



SECTION A-A



SECTION B-B

② contact	---	2	Copper Alloy	plating gold	---	
① Base	---	1	Nylon	Black	---	
ITEM	PART NAME	TER'NO	QTY.	MATERIAL	FINISHING	REMARK
APPROVALS			DATE	DONGGUAN CITY KAIHUA ELECTRONICS CO.,LTD		
DRAWN	huyuanfeng	2016-04-11		TITLE:	PG1511 KeySwitches Contact II	
CHECKED				PART NO.	CPG151101S11	
APPROVALS						
TOLERANCES ARE		30<L	±0.30	ANGLE	UNIT: mm	SCALE: 1:1
		10<L	±0.20		DRAWING NO.	KHA-PG1511-094EN
		5<L	±0.15	±2'	SHEET 1 OF 1	
		L	±0.10			

ECN NO.	REV.	DATE.	NEW	DESCRIPTION.	CHANGE.	CHECK.	APPRO.
	A						



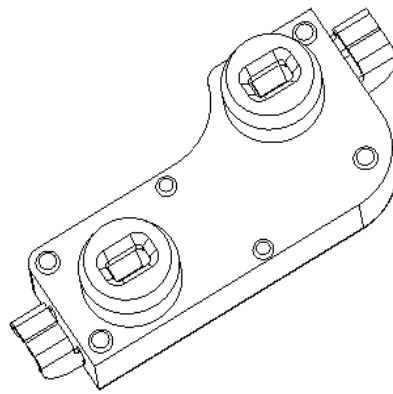
**凱華電子**  
KAIHUA EEELETRONICS

Document Number:

**KH-PS1607-10**

# 产品规格书

## Product Specification



P/N: **CPG151101S11**

Title : **1511 Connector**

Rev.	ECN	Release and Revision Description:	Prepared By /Date:	Checked By/Date:	Approved By/Date:
<b>A</b>	_____	New releasing 初版发行	罗衡军/2016/03/15	胡远峰/2016/03/15	陈军/2016/03/15
<b>B</b>	_____	Revise format 修订格式	汤佳 2016/11/25	胡远锋 2016/11/25	易平 2016/11/25



P/N:	DOC. No.:	Rev.:	Page:
CPG151101S11	KH-PS1607-10	B	2/9

## Content

### 目录

1. Scope/范围:	3
2. Product Application/产品应用 :	3
3. Technology Parameters/技术参数	3
4. Ratings/额定性能要求	3
5. Profile Dimensions /外形尺寸	4
6. Electrical Performance/电气性能	5
7. Mechanical Performance/机械性能	6
8. Environmental Performance/环境性能	7
9. Recommended PCB Layout/推荐的 PCB 安装焊盘规格	8
10. Packaging/包装	8
11. Precaution/注意事项	9



<b>P/N:</b> CPG151101S11	<b>DOC. No.:</b> KH-PS1607-10	<b>Rev.:</b> B	<b>Page:</b> 3/9
-----------------------------	----------------------------------	-------------------	---------------------

**1. Scope/范围:**

This Product Specification covers the requirement of Mechanical keyboard Connector switch on product performance, test methods and quality assurance provisions.  
本规格书内容涵盖机械键盘连接器产品的要求，包括性能指标、测试方法及质量保证方面等。

**2. Product Application/产品应用:**

Mainly applied on computer keyboards,cash registers equipment and Man-Machine interface.

主要适用于电脑，收银机，工业设备和人机界面

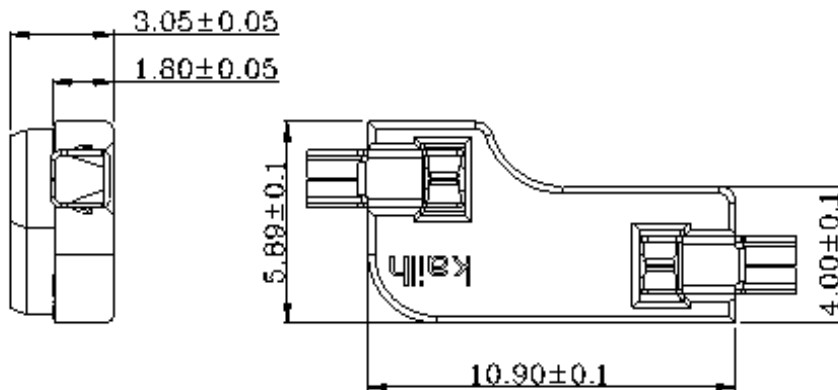
**3. Technology Parameters/技术参数**

Ambient Humidity 工作湿度:	45~95% R.H.;
Operating Temperature Range 使用温度范围:	-10℃~+60℃;
Storage Temperature Range 保存温度范围:	-20℃~+70℃;
Normal Condition:	
Ambient temperature 环境温度:	20±2℃
Relative humidity 相对湿度:	85%±5% R.H.;
Air pressure 气压:	86~101KPa;
Contact Resistance 接触阻抗:	100 mΩ Max;
Solder Ability 可焊性:	260±5℃,3±0.5s;
Withstand Soldering Temperature 耐焊接热:	260±5℃,5±1s;

**4. Ratings/额定性能要求**

Rating Voltare 额定电压:	12V AC/DC max; 2V DC min
Rating Current 额定电流	10mA AC/DC max; 10uA DC min
InsulationResistance 绝缘电阻:	≥100MΩ/DC 500V;
Withstand Voltage 耐电压:	AC 100V 1 Minute;
Mechanical Life 机械寿命:	100Cycles (No lead).

**5. Profile Dimensions /外形尺寸**





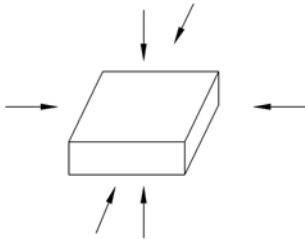
**6. Electrical Performance/电气性能**

Item 项目	Description 项目描述	Test Condition 测试条件	Requirement 规格要求
6.1	Contact Resistance 接触电阻	Static load: (Operation force)x2, which is applied on the center of Switch stem. 静态负载: 动作力的 2 倍, 施加在手柄中心.  Measurement tool: Contact resistance Meter. 测量工具: 微电流接触电阻计(1KHz, 20mV,5~50mA)	100mΩ Max 100mΩ 以下
6.2	Insulation Resistance 绝缘电阻	Apply a Voltage of DC 500 V for 1 minute, according to the below method. (1) Between terminals. (2) Between terminal and Body.  输入 500V DC 电压 1 分钟, 按如下接触方法测试: (1) 端子与端子之间. (2) 端子与外壳之间.	100MΩ Min 100 兆欧以上
6.3	Dielectric withstanding voltage 耐电压	Apply a Voltage of AC 100 V (50~60Hz) for 1 minute, according to the below method. (1) Between terminals. (2) Between terminal and Body.  输入 100V AC 电压 1 分钟, 按如下接触方法测试: (1) 端子与端子之间. (2) 端子与外壳之间.	No evidence of breakdown 无瞬断、击穿等破坏.

**7. Mechanical Performance/机械性能**

Item 项目	Description 项目描述	Test Condition 测试条件	Requirement 规格要求
7.1	Mating force 插入力	At 16in/minute.actuation speed	Mating force 插入力 3KG max



7.2	Unmating force 拔出力	At 16in/minute.actuation speed	Unmating force 拔出力 200gf min
7.3	Shock 机械冲击	<p>Measured by according to the below condition:            (1) Acceleration: 80g 加速度            (2) Cycles of test:3 cycles each in 6 directions, for a total of 18 cycles.            试验次数: 每个方向 3 次, 6 个方向共 18 次.</p> 	Appearance: No abnormality. 外观无异常
7.4	Life Test 寿命测试	<p>(1) No load 无负载            (2) Mating force: Maximum value of operation force.            插入力: 操作力规格值的上限.            (3) Cycles: 100 Min            操作次数: 100 次以上</p>	<p>Contact resistance:            200 mΩ Max            接触电阻: 200 毫欧以下            Bouncing: 10ms Max</p>

**8. Environmental Performance/环境性能**

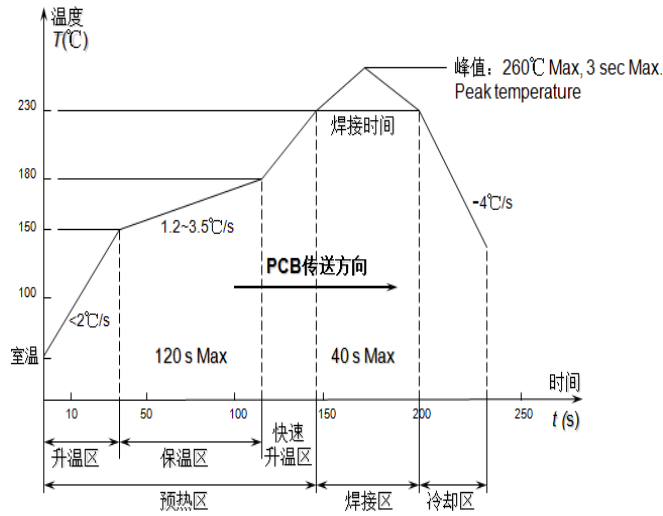
Item 项目	Description 项目描述	Test Condition 测试条件	Requirement 规格要求
8.1	Cold test 耐寒性	<p>(1) Temperature : - 20±2℃            温度: - 20±2℃            (2) Duration of test: 48h            持续时间: 48 小时            (3) Take off a drop water 去掉水珠            (4) Standard conditions after test : 1h            试验后的放置条件: 1 小时</p>	<p>Contact resistance:            200mΩ Max            接触电阻 200mΩ 以下</p>



8.2	Heat test 耐热性	<p>(1) Temperature : 70±2℃ 温度: 70±2℃</p> <p>(2) Duration of test: 48h 持续时间: 48 小时</p> <p>(3) Take off a drop water 去掉水珠</p> <p>(4) Standard conditions after test : 1h 试验后的放置条件: 1 小时</p>	<p>Contact resistance: 200mΩ Max Shall meet : No. 6.2 接触电阻 200mΩ 以下 满足: No. 6.2</p>														
8.3	Temperature cycle 温度循环	<p>(1) Test cycles:20 cycles 试验周期: 5 个周期</p> <p>(2) Standard condition after test:1h 试验后的放置条件: 1 小时</p> <table border="1" data-bbox="434 833 986 1057"> <thead> <tr> <th></th> <th>Temperature 温度</th> <th>Duration of test 持续时间</th> </tr> </thead> <tbody> <tr> <td rowspan="5">1 cycle 一次循环</td> <td>20±5℃</td> <td>1h</td> </tr> <tr> <td>-20±5℃</td> <td>1h</td> </tr> <tr> <td>20±5℃</td> <td>1h</td> </tr> <tr> <td>60±5℃</td> <td>1h</td> </tr> <tr> <td>70±5℃</td> <td>1h</td> </tr> </tbody> </table>		Temperature 温度	Duration of test 持续时间	1 cycle 一次循环	20±5℃	1h	-20±5℃	1h	20±5℃	1h	60±5℃	1h	70±5℃	1h	<p>Contact resistance: 200mΩ Max Shall meet : No. 6.2 接触电阻 200mΩ 以下 满足: No. 6.2</p>
	Temperature 温度	Duration of test 持续时间															
1 cycle 一次循环	20±5℃	1h															
	-20±5℃	1h															
	20±5℃	1h															
	60±5℃	1h															
	70±5℃	1h															
8.4	Soldering heat test 耐焊接热	<p>Soldering area: T/2 of PWB thickness. (PWB: T=1.6mm) 焊接面积: 印刷基板的 1/2 厚度处</p> <p>Soldering temperature: 260±5℃ 焊接温度: 260±5℃</p> <p>Soldering time: 3±0.5s 焊接时间: 3±0.5 秒</p>	<p>Appearance: No abnormality. 外观无异常</p>														
8.5	Solderability 可焊性	<p>1. Hand soldering 手工焊接: Please practice according to below condition: (1) Soldering Temperature : 350±5℃ 焊接温度: 350±5℃</p> <p>(2) Continual soldering time: 3±0.5s 连续焊接时间: 3±0.5 秒</p> <p>(3) Capacity of soldering iron: ≤20w 电烙铁功率: 20 瓦以下</p> <p>2. Automatic Reflow soldering 自动回流焊接: For the product of SMT, according to below condition:</p>	<p>At least 90% of surface area of immersed portion shall be covered by solder. 侵焊面积大于 90%以上.</p>														



**SMT 回流焊温度曲线图**



8.6

**Humidity test**  
耐湿性

- (1) Temperature :  $60 \pm 2^{\circ}\text{C}$   
温度:  $60 \pm 2^{\circ}\text{C}$
- (2) relative humidity: 90~95% R.H.  
相对湿度: 90~95% R.H.
- (3) Duration of test: 48h  
持续时间: 48 小时
- (4) Take off a drop water  
去掉水珠
- (5) Standard conditions after test: 1h  
试验后的放置条件: 1 小

Contact resistance:  
200m  $\Omega$  Max  
Shall meet :  
No. 6.2  
接触电阻 200m  $\Omega$  以下  
满足:  
No. 6.2

8.7

**Salt Spray**  
盐雾测试

Apply the following environment to test:  
根据下列条件进行测试:

- (1) Temperature :  $35 \pm 5^{\circ}\text{C}$   
温度:  $35 \pm 5^{\circ}\text{C}$ ;
- (2) Salt water density:  $5 \pm 1\%$   
盐水浓度:  $5 \pm 1\%$ ;
- (3) Duration: 12 hours  
持续时间: 12 小时;
- (4) After test, the salt deposit shall be removed by running water.  
实验后将盐沉积物用水冲掉

Appearance:  
No corrosion spot, no crack, no base plate naked.  
外观: 无腐蚀点, 无裂纹, 无裸露基材.

Contact Resistance:  
200 m  $\Omega$  Max  
接触电阻: 200 毫欧以下



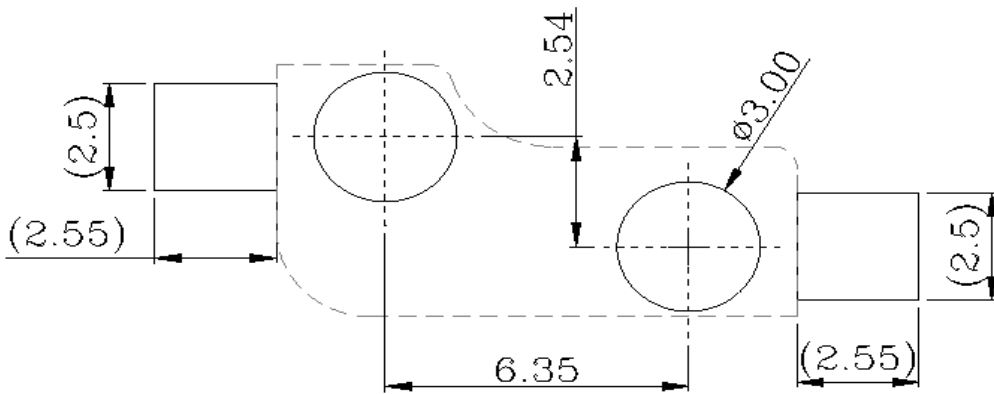


P/N: CPG151101S11	DOC. No.: KH-PS1607-10	Rev.: B	Page: 8/9
----------------------	---------------------------	------------	--------------

8.8	Withstand K <sub>2</sub> S 硫化测试	<p>Apply the following environment to test: 根据下列条件进行测试</p> <p>(1) Temperature: 35±5°C 温度: 35±5°C (2) K<sub>2</sub>S Density: 2%; 硫化钾浓度: 2% (3) Duration: 2 minute. 持续时间: 2 分钟</p>	<p>Appearance: No corrosion spot, no crack, no base plate naked. 外观: 无腐蚀点, 无裂纹, 无裸露基材.</p> <p>Contact Resistance: 500 mΩ Max 接触电阻: 500 毫欧以下</p>
-----	---------------------------------------	---	---

**9. Recommended PCB Layout 推荐的 PCB 安装焊盘规格**

(Top View)  
(Single face board T=1.6mm)

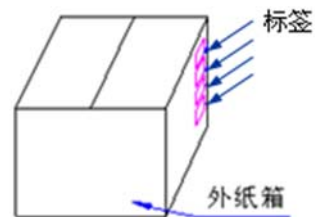
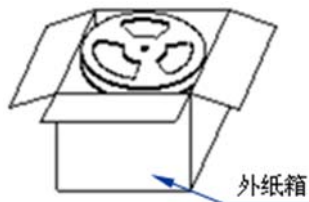
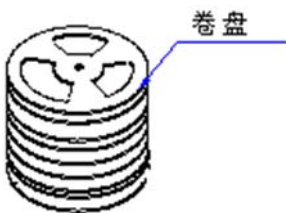


PCB LAYOUT

**10. Packaging 包装**

Packaging type: 13Tray, 26000Pcs/Carton.

包装方式: 13 / 盘, 26000Pcs/箱.





**11. Precaution 注意事项**

**11.1 Soldering condition 回流焊条件**

ITEM 项目	CONDITION 条件	
Preheating zone 预热区	Heating zone 升温区	Speed < 2°C/S, Preheating time 15 S Max, temperature 150°C 速度 < 2°C/S, 预热时间 15 S 最多, 温度 150°C
	Heatpreservation area 保温区	Speed 1.2~3.5°C/S, Preheating time 120 S Max, temperature 180°C 速度 1.2~3.5°C/S, 预热时间 120 S 最多, 温度 180°C
	Fast heating zone 快速升温区	Speed 3.5~4.5°C/S, Preheating time 140 S Max, temperature 230°C 速度 3.5~4.5°C/S, 预热时间 140 S 最多, 温度 230°C
Weld area 焊接区	Welding time 40 S Max, welding temperature peak value, 3 sec Max. 焊接时间 40 S 最多, 焊接温度峰值 260°C 最大, 3 S 最多	
Area of flux 助焊剂面积	1/2 Max of PWB Thickness 印刷基板厚度的 1/2 以内	
Temperature of solder 焊锡温度	260 ± 5°C 260 ± 5°C	
Number of soldering 焊接次数	2 time Max (But should down heat of the first soldering) 2 次以内	
Printed wiring board 印刷基板	Single side copper-clad laminates 单面铜箔	

- (1) After reflow, be careful not to clean switches with solvent  
回流焊后, 注意不要用溶剂清洗.
- (2) Under the condition of using soldering iron, soldering temperature shall be 350°C max within 3 sec.  
在使用烙铁的情况下, 焊锡温度应在 350°C 以下, 焊接时间 3 秒以内.

**11.2 Notes 注意点**

- (1) Please be cautious not to give excessive static load connector.  
注意不要施加超负荷的压力或晃动连接器.
- (2) Connector be careful not to stack up P. W. B. after switches were soldered.  
连接器焊接以后, 印刷基板注意不要叠放.
- (3) Preservation under high temperature and high humidity or corrosive gas should be avoided Especially. When you need to preserve for a long period, do not open the carton.  
保管时尤其应注意避开高湿高温和有腐蚀性气体的环境. 如需长时间保存, 请不要打开包装箱.
- (4) Products meet the ROHS & REACH environmental management substances control standards  
产品满足 ROHS & REACH 环境管理物质管制标准