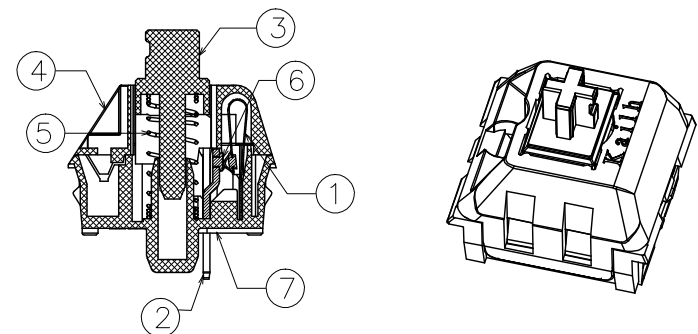
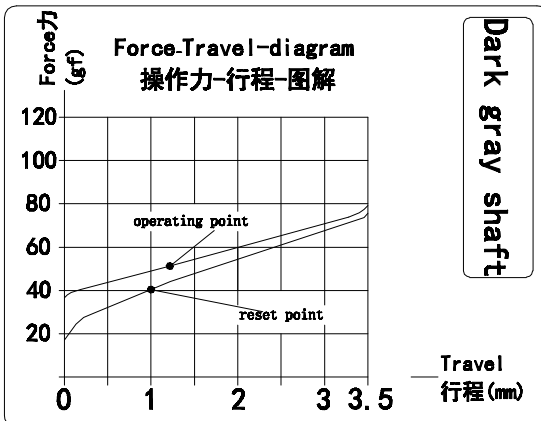
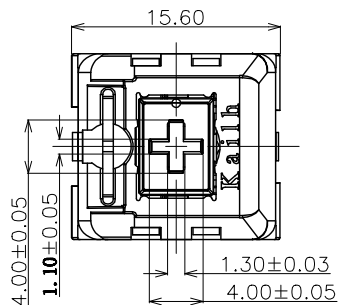


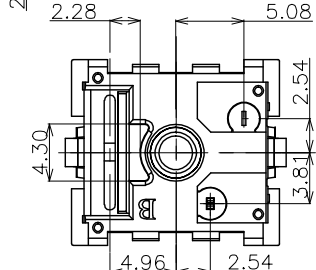
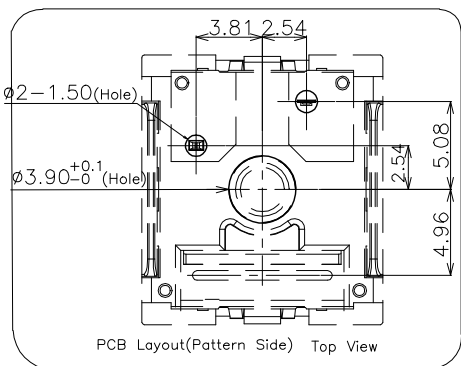
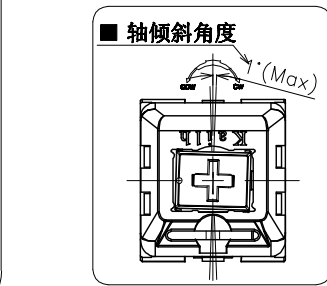
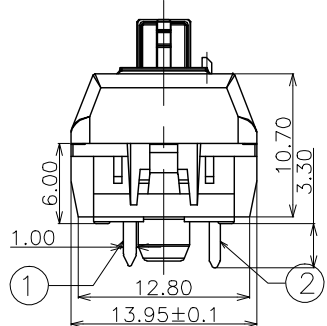
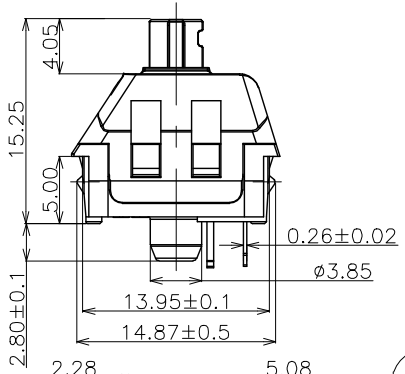
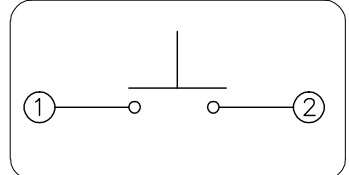
ABIDE BY ROHS

Dark gray shaft



- Specification :**
- 1. Rating :12V AC/DC max. 2V DC min. 10mA AC/DC max. 10μA DC min.
 - 2. Contact Resistance : 100mΩ Max
 - 3. Insulation Resistance :100MΩ Min (DC500V)
 - 4. Withstand Voltage :AC100V(50-60Hz) for 1 minute
 - 5. Bounce Time:≤5msec (at 16 in/sec. actuation speed)
 - 6. Resilience Force ≥12gf
 - 7. Operation Force :50±10gf
 - 8. Pre travel:1.1±0.4mm
 - 9. Total travel:3.5±0.4mm
 - 10. Operating Life :70,000,000 Cycles(min).

SWITCH FUNCTION



ITEM	PART NAME	TER'NO.	QTY.	MATERIAL	FINISHING	REMARK
⑦	Base	1		PA66	White	
⑥	contact	2		Composite gold		
⑤	Spring	1		Stainless Steel		
④	Cover	1		PC		
③	Keystroke	1		POM	Dark gray shaft	
②	static plate	1		Brass	Plating NI	
①	movable plate	1		Copper Alloy		

APPROVALS		DATE		DONGGUAN CITY KAILIA ELECTRONICS CO.,LTD	
DRAWN		YI JIN PING 2017.04.13		Keilh	
CHECKED				TITLE: PG1511 Keystroke Switch(Dark gray shaft)	
APPROVALS				PART NO. CPG151101D216	
TOLERANCES ARE		ANGLE		UNIT: mm SCALE: 1:1 PROJ:	
30<L ±0.30		±2'		DRAWING NO. KHA-PG1511-	
10<L ≤30 ±0.20				SHEET 1 OF 1	
5<L ≤10 ±0.15					
L ≤5 ±0.10					

ECN NO.	REV.	DATE.	DESCRIPTION.	CHANGE.	CHECK.	APPRO.
	A		NEW			