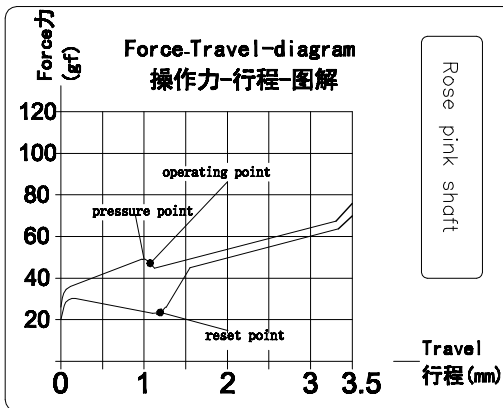
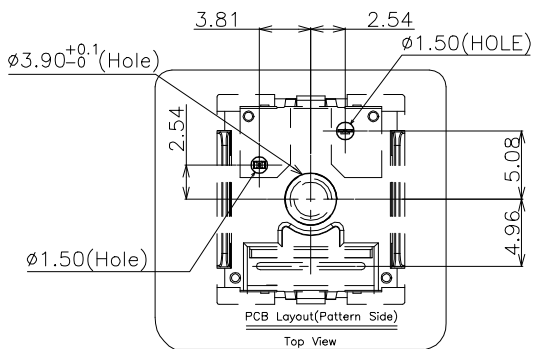
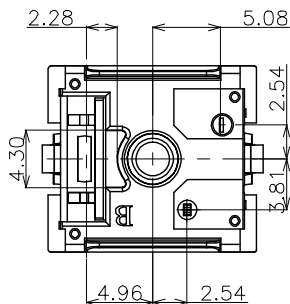
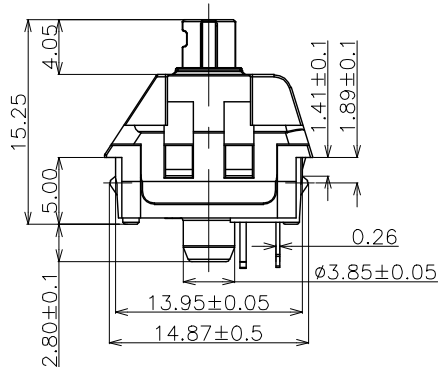
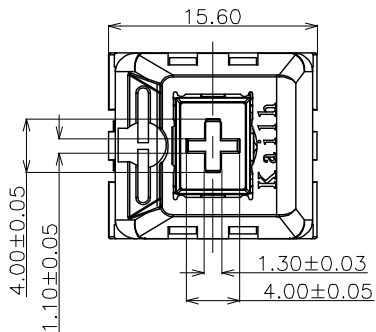
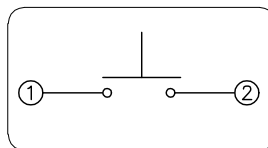


ABIDE BY ROHS

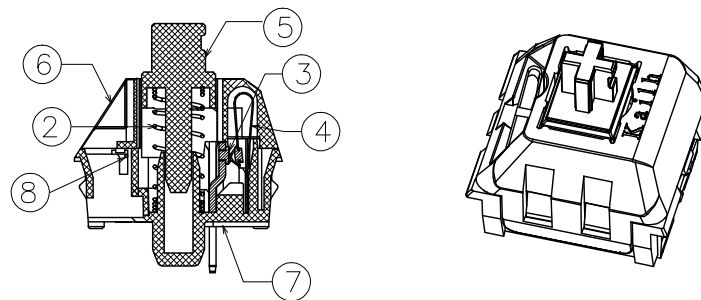
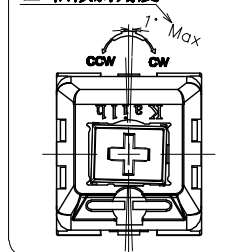
Rose pink shaft



SWITCH FUNCTION



轴倾斜角度



Specification :

- 1. Rating : 12V AC/DC max. 2V DC min. 10mA AC/DC max. 10μA DC min.
- 2. Contact Resistance : 100mΩ Max
- 3. Insulation Resistance : 100MΩ Min (DC500V)
- 4. Withstand Voltage : AC100V (50-60Hz) for 1 minute
- 5. Bounce Time : ≤5msec (at 16 in/sec. actuation speed)
- 6. Resilience Force ≥12gf
- 7. Operation Force : 50±10gf
- 8. Pre travel : 1.1±0.4mm
- 9. Total travel : 3.5±0.4mm
- 10. Operating Life : 70,000,000 Cycles (min).

<Feel is allowed to have difference before and after life test>

ITEM	PART NAME	TER'NO.	QTY.	MATERIAL	FINISHING	REMARK
⑧	Spring	1		SUS 301	Nature	
⑦	Base	1		PA66	White	
⑥	contact	2		Composite gold		
⑤	Spring	1		Stainless Steel		
④	Cover	1		PC	Nature	
③	Keystroke	1		POM	Rose Pink	2044U
②	static plate	1		Brass	Plating NI	
①	movable plate	1		Copper Alloy		

APPROVALS		DATE		DONGGUAN CITY KAIHUA ELECTRONICS CO.,LTD	
DRAWN	YIJINPING	2017.04.13		TITLE:	PG1511 Keystroke Switch(Rose pink shaft)
CHECKED				PART NO.	GPG151101D215
APPROVALS				UNIT: mm	SCALE: 1:1
TOLERANCES ARE	30$\leq L$ ±0.30	10$\leq L$ ±0.20	ANGLE	DRAWING NO.	KHA-PG1511-
	5$\leq L$ ±0.15	L≤ 5 ±0.10	±2'	SHEET	1 OF 1

ECN NO.	REV.	DATE.	DESCRIPTION.	CHANGE.	CHECK.	APPRO.
	A		NEW			