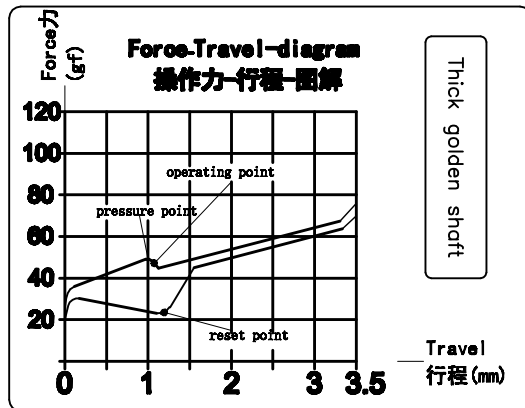
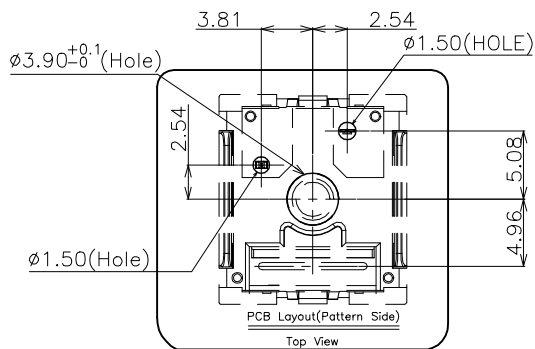
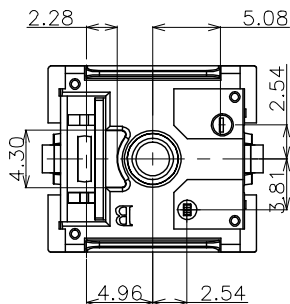
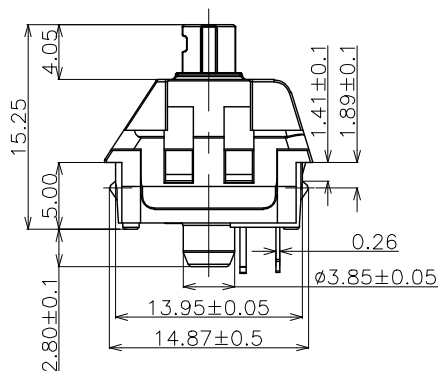
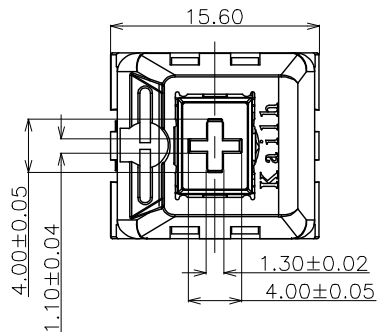


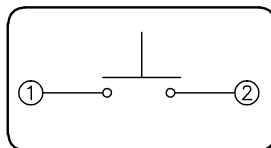
ABIDE BY ROHS

Thick golden shaft

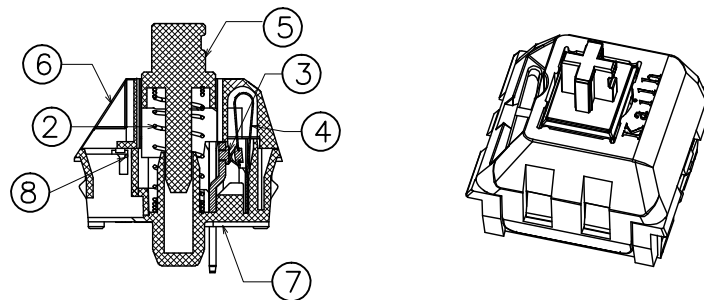
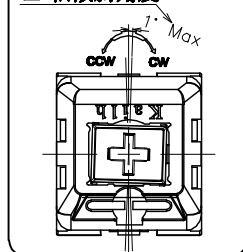


Thick golden shaft

SWITCH FUNCTION



轴倾斜角度



Specification :

- 1. Rating : 12V AC/DC max. 2V DC min. 10mA AC/DC max. 10µA DC min.
- 2. Contact Resistance : 100mΩ Max
- 3. Insulation Resistance : 100MΩ Min (DC500V)
- 4. Withstand Voltage : AC100V (50-60Hz) for 1 minute
- 5. Bounce Time : ≤5msec (at 16 in/sec. actuation speed)
- 6. Resilience Force ≥12gf
- 7. Operation Force : 50±10gf
- 8. Pre travel : 1.1mm±0.3mm
- 9. Total travel : 3.5±0.3mm
- 10. Operating Life : 70,000,000 Cycles (min).

Feel is allowed to have difference before and after life test

ITEM	PART NAME	TER'NO.	QTY.	MATERIAL	FINISHING	REMARK
⑧	Spring	1		SUS 301	Nature	
⑦	Base	1		PA66	Black	
⑥	contact	2		Composite gold		
⑤	Spring	1		Stainless Steel		
④	Cover	1		PC	Nature	
③	Keystroke	1		POM	Coppery	
②	static plate	1		Brass	Plating NI	
①	movable plate	1		Copper Alloy		

APPROVALS		DATE		DONGGUAN CITY KAIHUA ELECTRONICS CO.,LTD			
DRAWN	易金平	2016.09.02		Keilh			
CHECKED				TITLE:	PG1511 Keystroke Switch(Thick golden shaft)		
APPROVALS				PART NO.	PG151101D188		
TOLERANCES ARE		30$\leq L$	±0.30	ANGLE	UNIT: mm	SCALE: 1:1	
		10$\leq L$30	±0.20				
		5$\leq L$10	±0.15				
		L≤ 5	±0.10	±2'	DRAWING NO.	KHA-PG1511-130EN	PROJ:

ECN NO.	REV.	DATE.	DESCRIPTION.	CHANGE.	CHECK.	APPRO.
	A		NEW			