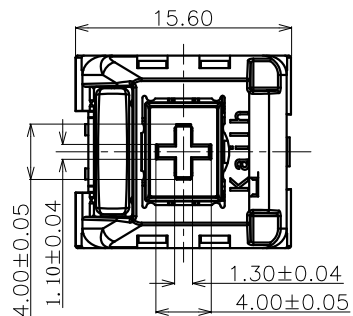
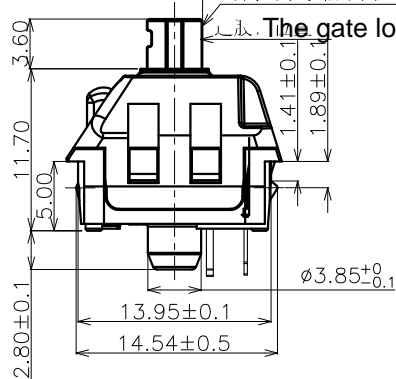


ABIDE BY ROHS

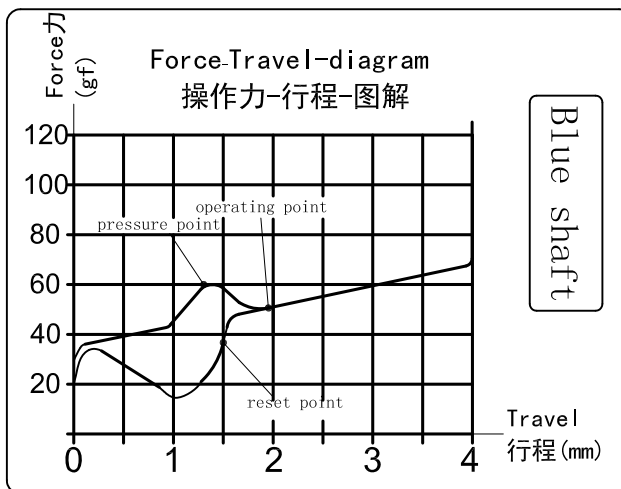
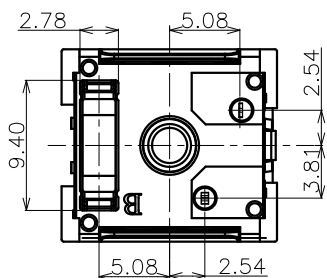
Blue shaft



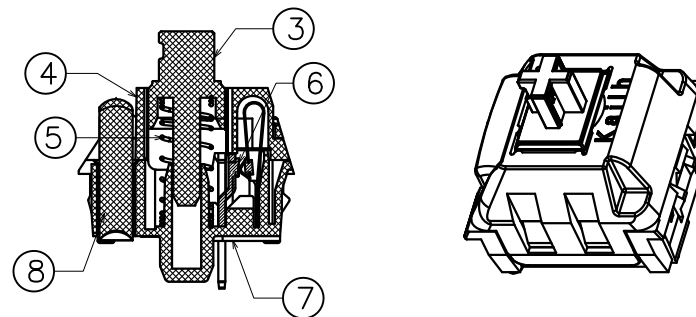
The height of gate is lower or at the surface level of shaft.



The gate location



Blue shaft

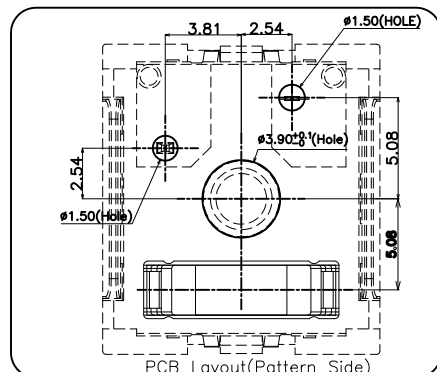
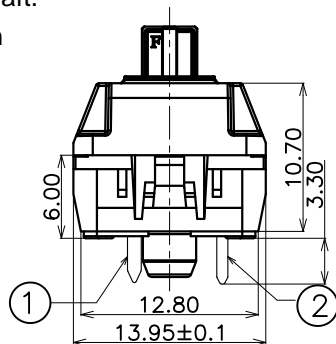
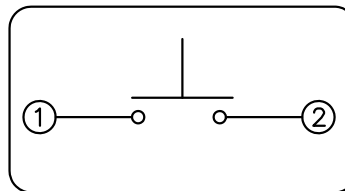


■ Specification :

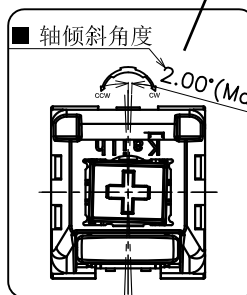
- 1. Rating :12 VAC/DC max. 2 VDC min. 10mA AC/DC max. 10 μA DC min.
- 2. Contact Resistance : 200mΩ Max
- 3. Insulation Resistance :100MΩ Min (DC100V)
- 4. Withstand Voltage :AC100V (50-60Hz) for 1 minute
- 5. Bounce Time:≤5msec (at 16 in/sec. actuation speed)
- 6. Operation Force :50±10gf
- 7. Tactile Force :60±10gf
- 8. Conduction travel:1.90mm±0.4mm
- 9. breaking travel:1.5mm±0.4mm
- 10. peak force travel:1.4mm±0.4mm
- 11. CK value: (60-90)%
- 12. Total travel:4.0±0.4mm
- 13. Operating Life :55,000,000 Cycles(min).

<Feel is allowed to have difference before and after life test>

■ SWITCH FUNCTION



Shaft gradient



⑧	Light pipe	—	1	PC	Transparent
⑦	Base	—	1	PA66	Black
⑥	contact	—	2	Composite gold	—
⑤	Spring	—	1	Stainless Steel	—
④	Cover	—	1	PC	Transparent
③	Keystroke	—	1	POM	Blue
②	static plate	—	1	Brass	Plating Ni
①	movable plate	—	1	Copper Alloy	—
ITEM	PART NAME	TER'NO	QTY.	MATERIAL	FINISHING

APPROVALS		DATE		DONGGUAN CITY KAIHUA ELECTRONICS CO.,LTD	
DRAWN		2015.8.17		Kaih	
CHECKED				TITLE: PG1511 Keystroke Switch(Blue shaft)	
APPROVALS				PART NO. PG151101D118	
TOLERANCES ARE		ANGLE		UNIT: mm	
30<L		±0.30		SCALE: 1:1	
10<L		±0.20		DRAWING NO.	
5<L		±0.15		PROJ.	
L		±0.10		SHEET 1 OF 1	

ECN NO.	REV.	DATE.	NEW DESCRIPTION.	CHANGE.	CHECK.	APPRO.
---------	------	-------	------------------	---------	--------	--------