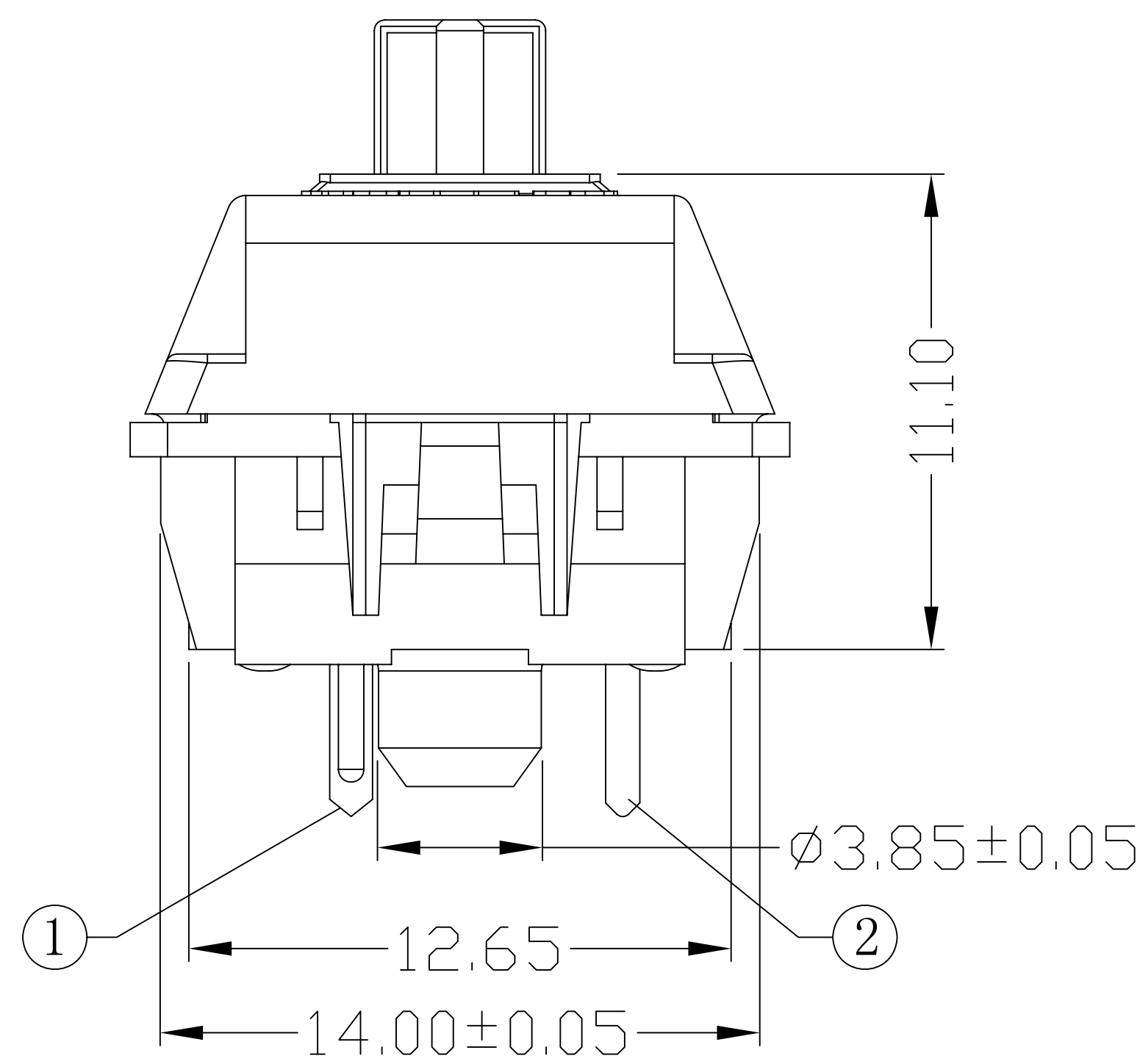
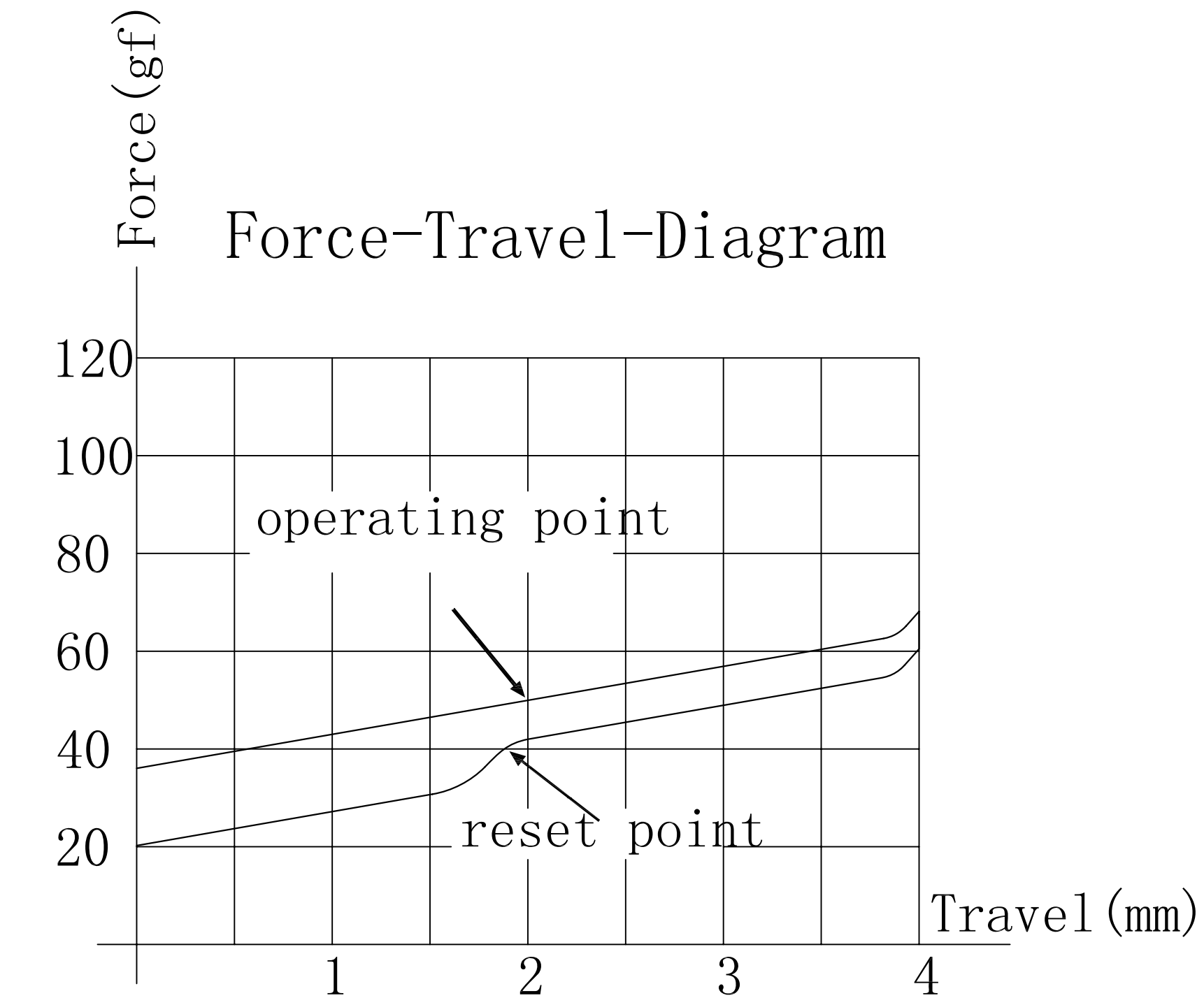
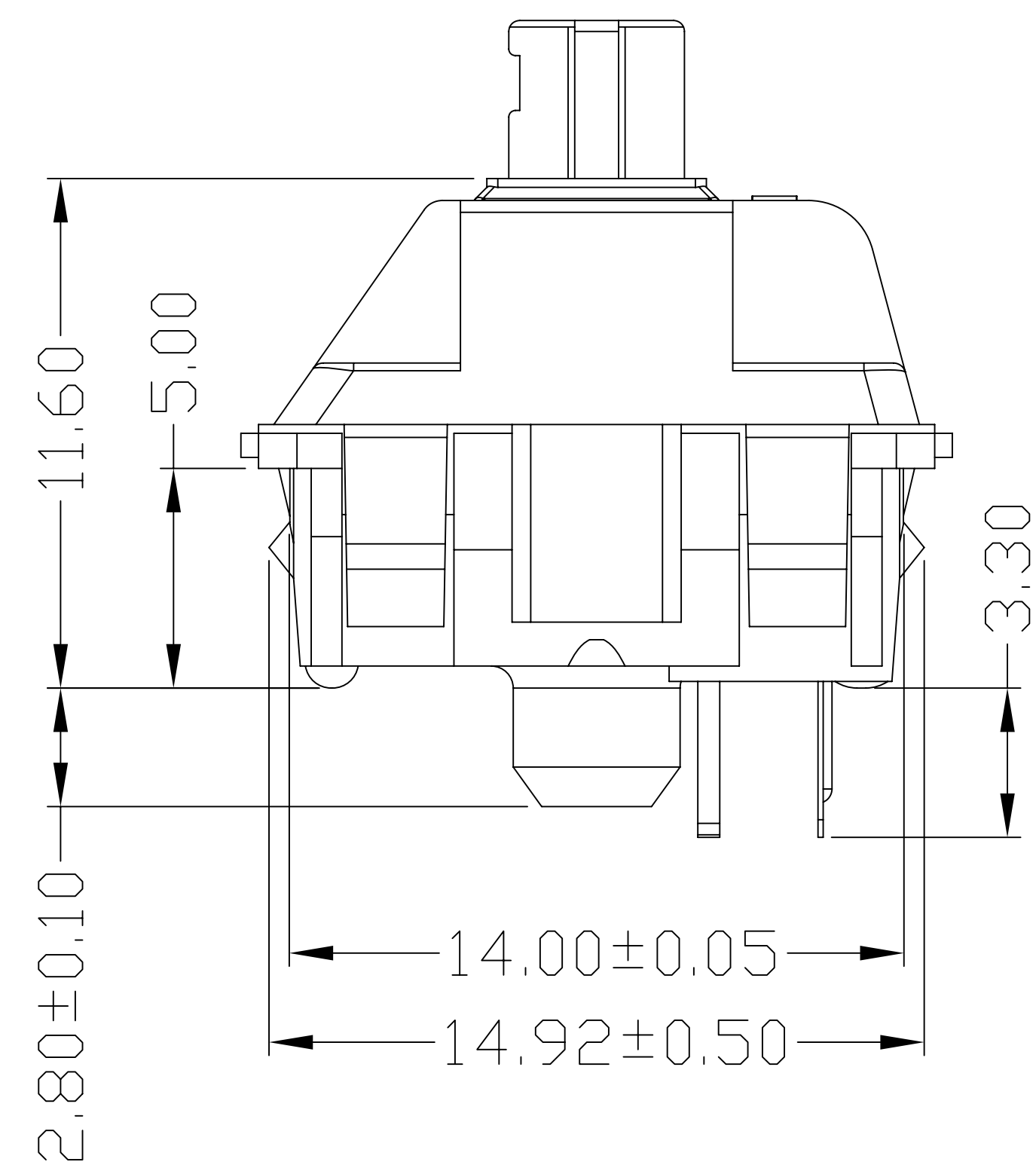
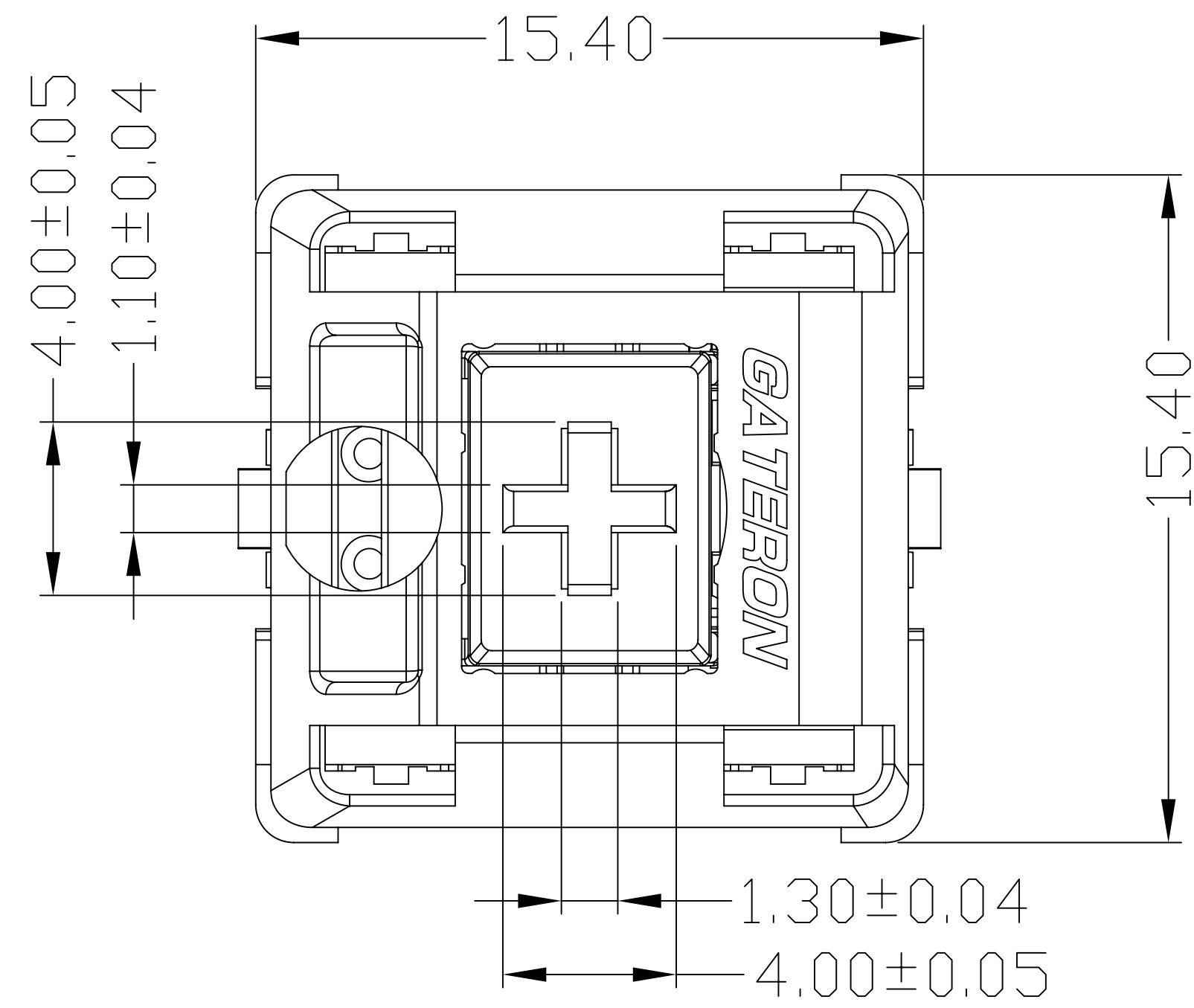
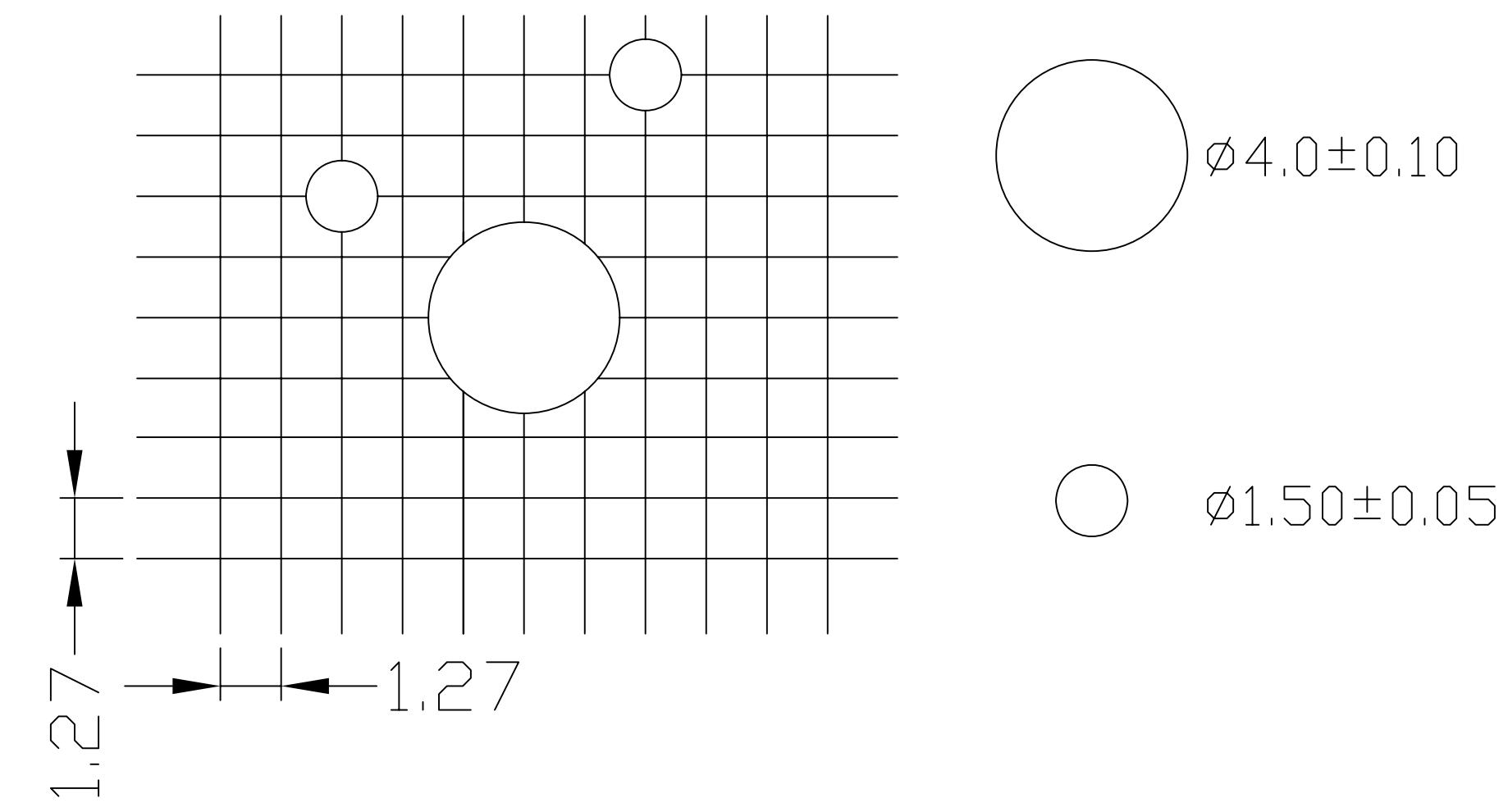


PART NUMBER

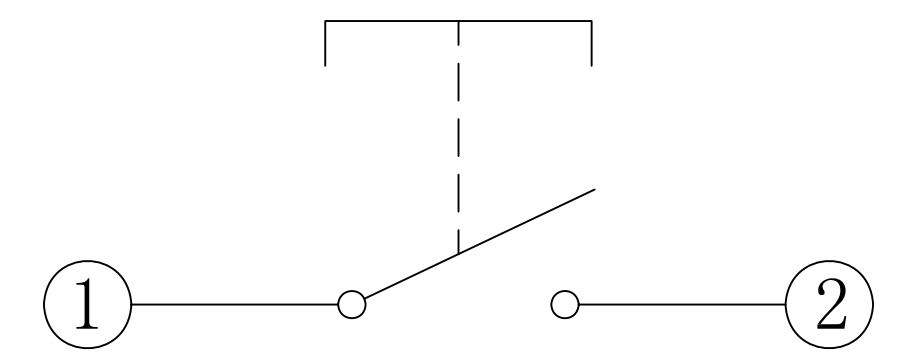
KS-3Y10B050NN-X



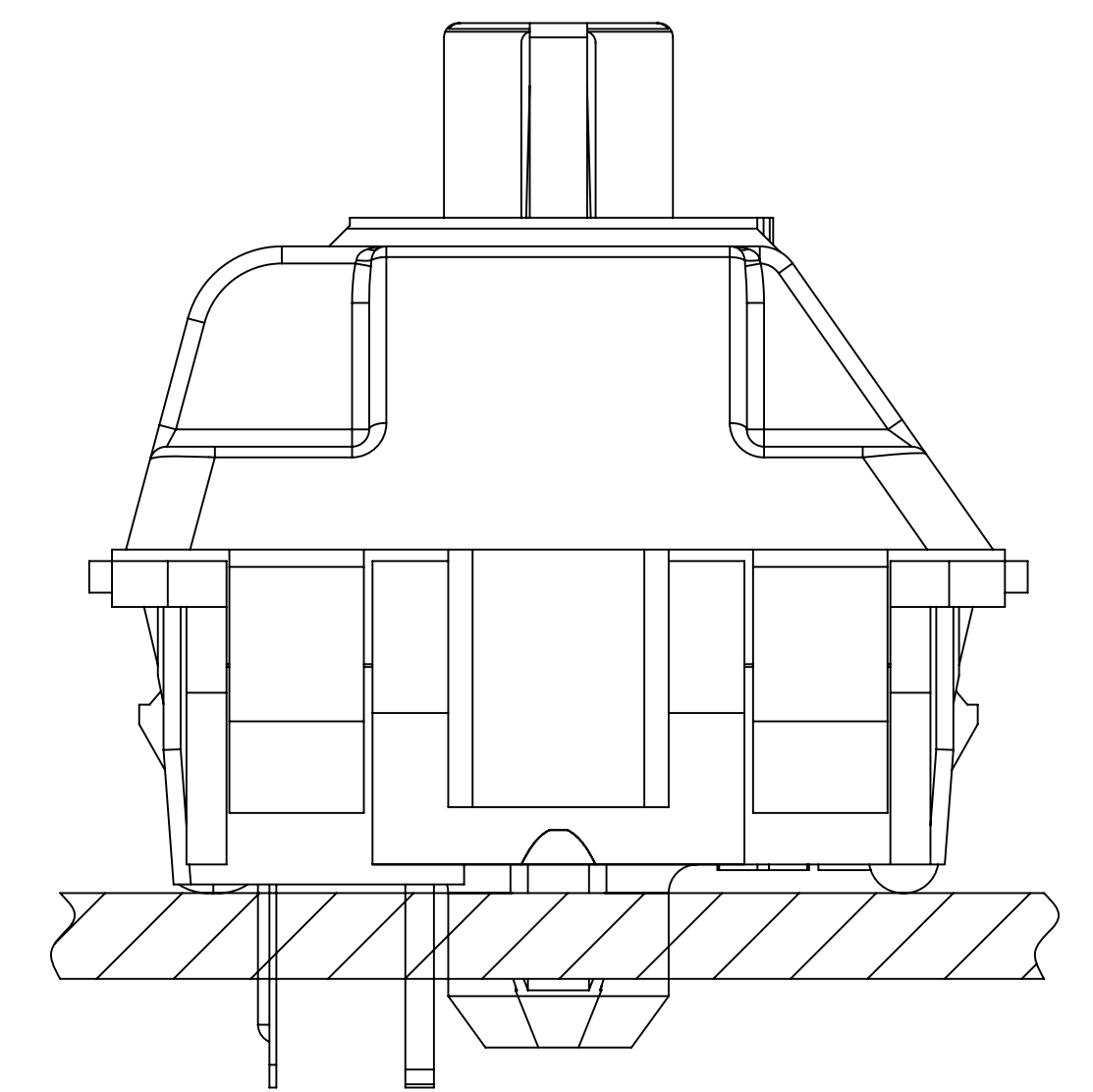
Layout of PCB



Circuit Diagram



Keyswitch assembly



with pins

⑦	case	PA66
⑥	contact	Au Alloy
⑤	cover	PA66
④	spring	Stainless steel
③	keystroke	POM
②	static plate	Copper alloy
①	movable plate	Copper alloy
ITEM	Part Name	Material

Specification:

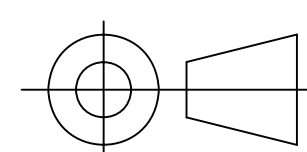
- 1.Rating:12VAC/DC Max. 2VDC Min. 10mA AC/DC Max,10mA DCMIn.
- 2.Contact Resistance: 200mΩ Max.
- 3.Insulation Resistance:100MΩ Min(DC100V).
- 4.Wichstand Voltage: AC100V(50~60Hz) for 1 minute.
- 5.Bounce Time: 5msec Max.(at 16 in/sec. actuation speed).
- 6.Operation Force: 50±15gf.
- 7.Pretravel: 2.0±0.6mm.
- 8.Total rtravel: 4.0mm
- 9.Operation Life: 50.000,000 Cycles(min)

DESIGN UNITS: mm

TOLERANCE UNLESS OTHERWISE SPECIFIED

≤1	>1~5	>5~20	>20~50	>50~100	>100~200	≥200	ANGLE
					±0.40		±2jā

THIRD ANGLE PROJECTION



DRAWN Jack Li 2014-09-11

CHECK David Wu 2014-09-11

THIS DRAWING COVERS A PROPRIETARY ITEM AND IS THE PROPERTY OF GATERON. THIS DRAWING IS NOT TO BE COPIED OR USED WITHOUT THE PERMISSION OF GATERON

INTERPRET PER ASME Y14.5M-1994 OTHER GATERON ENGINEERING STANDARDS MAY APPLY

AutoCAD

**GATERON**  
GATERON Electronic Technology Co.,Ltd

TITLE					REV
KS-3 SERIES					
SIZE	TYPE	CAGE CODE	DRAWING NAME	REV	
A	A		KS-3Y10B050NN-X	1	
SCALE	-		SHEET	1	OF 1